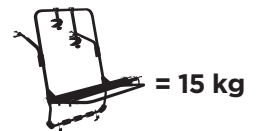
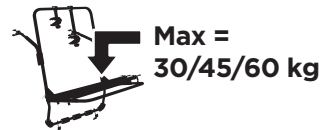
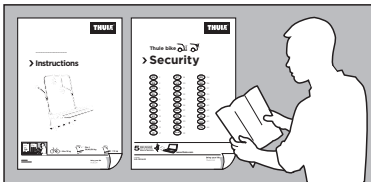
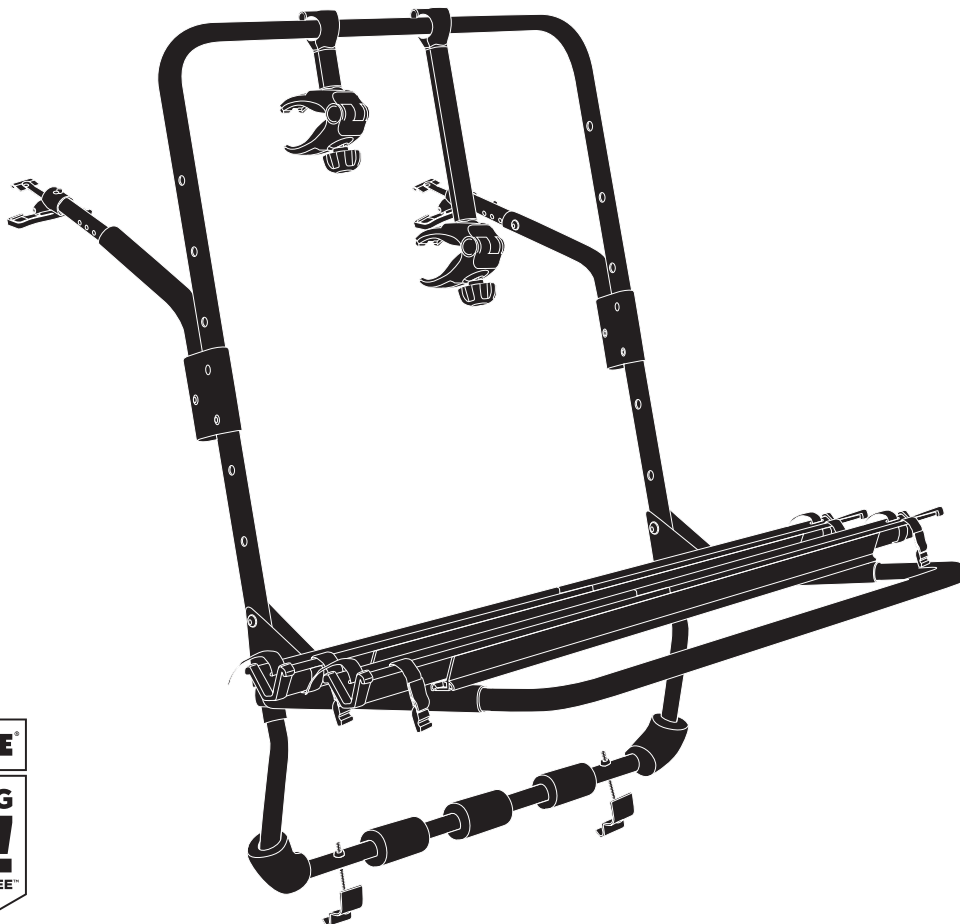


# Thule BackPac Kit 17

# ➤ Instructions



**EN** Rear door-mounted bike carrier  
**DE** Heckklappen-Fahrradträger  
**FR** Porte-vélos sur le hayon arrière  
**NL** Fietsdrager voor op de achterklep  
**IT** Portabici da installare sul portellone posteriore  
**ES** Portabicicletas de portón trasero  
**PT** Suporte para bicicleta para tampa traseira  
**SV** Bakluckemonterad cykelhållare  
**DK** Cykelholder, der er monteret på bagklap  
**NO** Bakdørmontert lasteholdere  
**FI** Tavaratilan oveen kiinnitettävä polkupyöräteline  
**ET** Tagaluugile paigaldatav jalgrattahoidik  
**LV** Uz aizmugurējām durvīm uzstādāms velosipēdu turētājs  
**LT** Prie galinių durelių tvirtinami dviračių laikikliai  
**PL** Bagażnik rowerowy montowany na tylnych drzwiach  
**RU** Устанавливаемое на задней двери крепление для велосипедов

**UK** Багажник для велосипедів, що монтується на задніх дверцятках  
**BG** Багажник за велосипеди, монтиран на задната врата  
**CS** Nosič jízdních kol s montáží na zadní dveře  
**SK** Nosič bicyklov s montážou na zadné dvere  
**SL** Prtljažnik za kolesa za na zadnja vrata vozila  
**HR/BiH** Nosac bicikla koji se postavlja na vrata prtljažnika  
**RO** Suport pentru bicicletă montat pe ușa din spate  
**HU** Hátsó ajtóra szerelhető kerékpártartó  
**EL** Σχάρα ποδηλάτου πίσω πόρτας  
**TR** Araç arkasına bağlanan bisiklet taşıyıcı

מנשא אופניים המורכב על הדלת האחורית  
 حامل الدراجة للتثبيت على الباب الخلفي

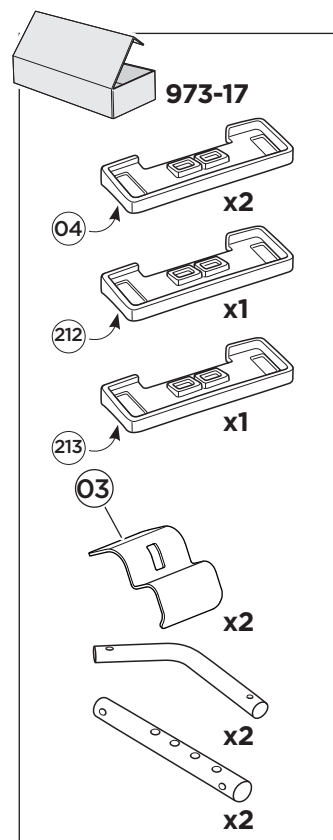
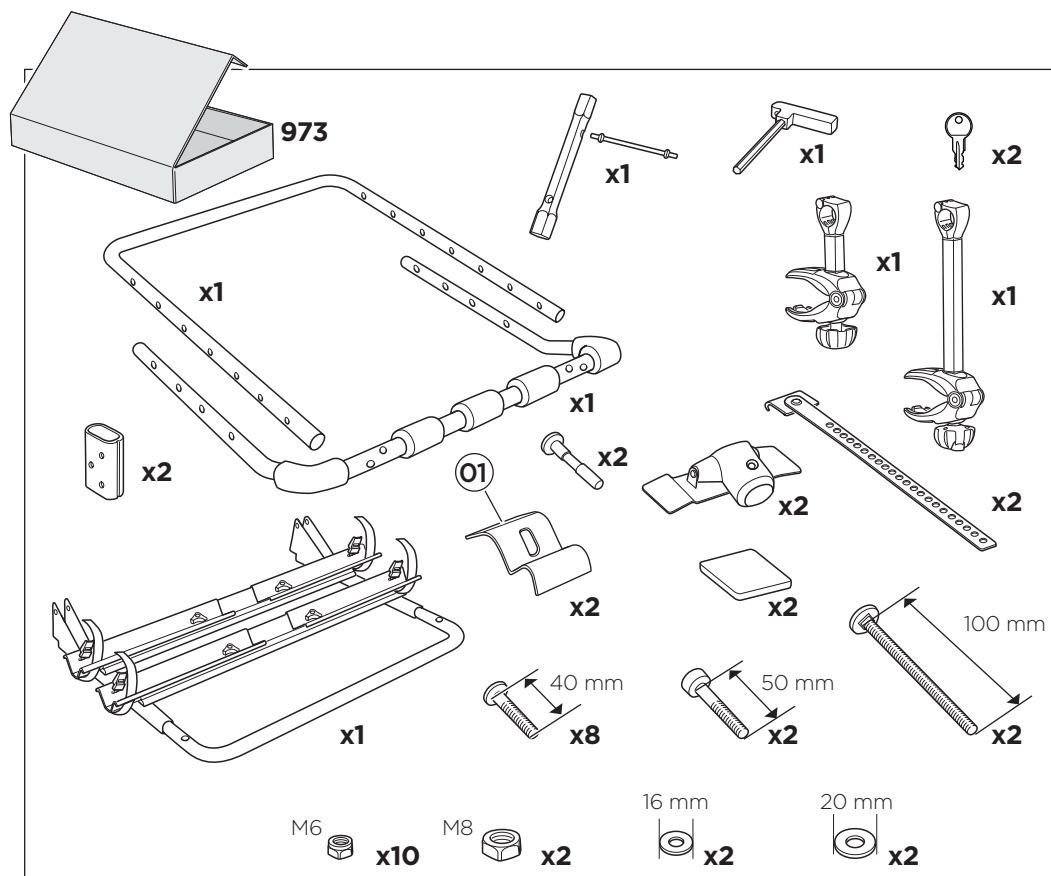
**HE**  
**AR**

**ZH** 后备箱安装托架  
**JA** リアドアマウント型サイクルキャリア  
**KO** 뒷문 장착 자전거 캐리어  
**TH** โครมยึดจับจักรยานแบบติดตั้งกับประตูท้ายรถ



AUDI 80, 5-dr Estate, 92-95	ok	3/45 kg
AUDI 100, 5-dr Estate, 92-94	ok	3/45 kg
AUDI A3 Sportback, 5-dr Hatchback, 04-12	-	3/45 kg
AUDI A4 Allroad, 5-dr Estate, 08-15	ok	3/45 kg
AUDI A4 Avant, 5-dr Estate, 05-07	ok	3/45 kg
AUDI A4 Avant, 5-dr Estate, 08-15	ok	3/45 kg
AUDI A6 Allroad, 5-dr Estate, 06-12	ok	2/30 kg
AUDI A6 Avant, 5-dr Estate, 94-97	ok	3/45 kg
AUDI A6 Avant, 5-dr Estate, 98-04	ok	3/45 kg
AUDI A6 Avant, 5-dr Estate, 05-10	ok	2/30 kg
BMW 5-Series Touring (E39), 5-dr Estate, 97-00	ok	3/45 kg
BMW 5-Series Touring (E39), 5-dr Estate, 01-03	ok	3/45 kg
BMW X3, 5-dr SUV, 10-	ok	3/45 kg
CHRYSLER Grand Voyager, 5-dr MPV, 96-00	ok	3/45 kg
CHRYSLER PT Cruiser, 5-dr Estate, 00-10	ok	2/30 kg
CHRYSLER Voyager, 5-dr MPV, 96-00	ok	3/45 kg
FIAT Croma, 5-dr Estate, 05-07	ok	2/30 kg
FORD C-Max (Mk II), 5-dr MPV, 10-	-	3/45 kg
JEEP Grand Cherokee, 5-dr SUV, 05-10	ok	3/45 kg

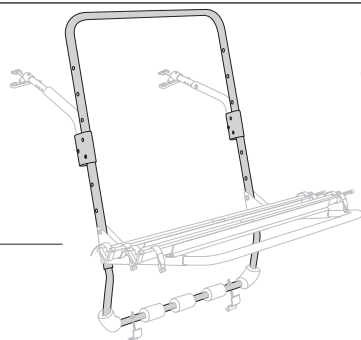
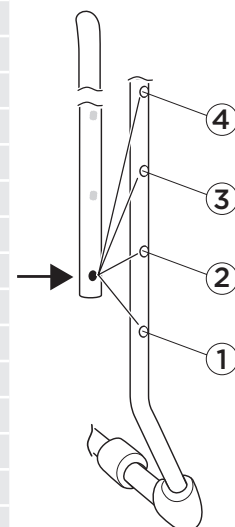
KIA Carnival I, 5-dr MPV, 98-01	ok	3/45 kg
KIA Sorento, 5-dr SUV, 02-08	ok	3/45 kg
MAZDA 6 (Mk I), 5-dr Estate, 02-07	ok	3/45 kg
MAZDA CX-7, 5-dr SUV, 07-09	ok	3/45 kg
MITSUBISHI Outlander (Mk III), 5-dr SUV, 13-	ok	3/45 kg
NISSAN Primera (W12), 5-dr Estate, 02-07	ok	3/45 kg
SEAT Exeo, 5-dr Estate, 09-13	ok	3/45 kg
SEAT Ibiza ST, 5-dr Estate, 10-	-	2/30 kg
SKODA Octavia (Mk III), 5-dr Estate, 13-	-	3/45 kg
SKODA Octavia Scout (Mk III), 5-dr Estate, 14-	-	3/45 kg
SKODA Rapid Spaceback, 5-dr Hatchback, 14-	ok	3/45 kg
SKODA Superb, 5-dr Estate, 09-15	-	2/30 kg
SKODA Superb Alldrive, 5-dr Estate, 12-15	-	2/30 kg
SUBARU Legacy V, 5-dr Estate, 09-14	-	3/45 kg
SUBARU Outback, 5-dr Estate, 10-14	-	3/45 kg
SUZUKI Vitara, 5-dr SUV, 15-	-	3/45 kg
TOYOTA Corolla, 5-dr Estate, 93-97	ok	3/45 kg
TOYOTA Previa, 5-dr MPV, 90-99	ok	3/45 kg
VOLKSWAGEN Tiguan, 5-dr SUV, 16-	ok	3/45 kg



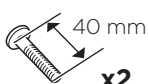
1



AUDI 80, 5-dr Estate, 92-95	1	KIA Carnival I, 5-dr MPV, 98-01	4
AUDI 100, 5-dr Estate, 92-94	1	KIA Sorento, 5-dr SUV, 02-08	1
AUDI A3 Sportback, 5-dr Hatchback, 04-12	1	MAZDA 6 (Mk I), 5-dr Estate, 02-07	2
AUDI A4 Allroad, 5-dr Estate, 08-15	1	MAZDA CX-7, 5-dr SUV, 07-09	1
AUDI A4 Avant, 5-dr Estate, 05-07	1	MITSUBISHI Outlander (Mk III), 5-dr SUV, 13-	2
AUDI A4 Avant, 5-dr Estate, 08-15	1	NISSAN Primera (W12), 5-dr Estate, 02-07	1
AUDI A6 Allroad, 5-dr Estate, 06-12	1	SEAT Exeo, 5-dr Estate, 09-13	1
AUDI A6 Avant, 5-dr Estate, 94-97	1	SEAT Ibiza ST, 5-dr Estate, 10-	1
AUDI A6 Avant, 5-dr Estate, 98-04	1	SKODA Octavia (Mk III), 5-dr Estate, 13-	1
AUDI A6 Avant, 5-dr Estate, 05-10	1	SKODA Octavia Scout (Mk III), 5-dr Estate, 14-	1
BMW 5-Series Touring (E39), 5-dr Estate, 97-00	1	SKODA Rapid Spaceback, 5-dr Hatchback, 14-	1
BMW 5-Series Touring (E39), 5-dr Estate, 01-03	1	SKODA Superb, 5-dr Estate, 09-15	1
BMW X3, 5-dr SUV, 10-	2	SKODA Superb Alldrive, 5-dr Estate, 12-15	1
CHRYSLER Grand Voyager, 5-dr MPV, 96-00	4	SUBARU Legacy V, 5-dr Estate, 09-14	2
CHRYSLER PT Cruiser, 5-dr Estate, 00-10	2	SUBARU Outback, 5-dr Estate, 10-14	2
CHRYSLER Voyager, 5-dr MPV, 96-00	4	SUZUKI Vitara, 5-dr SUV, 15-	1
FIAT Croma, 5-dr Estate, 05-07	2	TOYOTA Corolla, 5-dr Estate, 93-97	2
FORD C-Max (Mk II), 5-dr MPV, 10-	2	TOYOTA Previa, 5-dr MPV, 90-99	1
JEEP Grand Cherokee, 5-dr SUV, 05-10	1	VOLKSWAGEN Tiguan, 5-dr SUV, 16-	1



x2

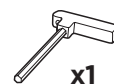


x2

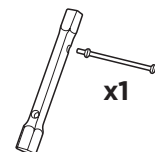
M6



x2

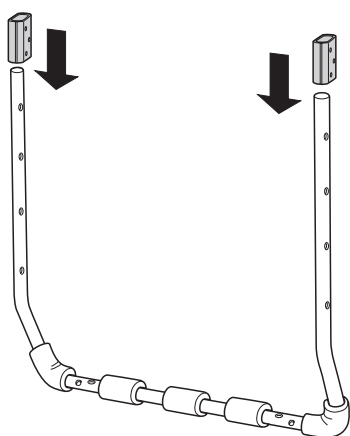


x1

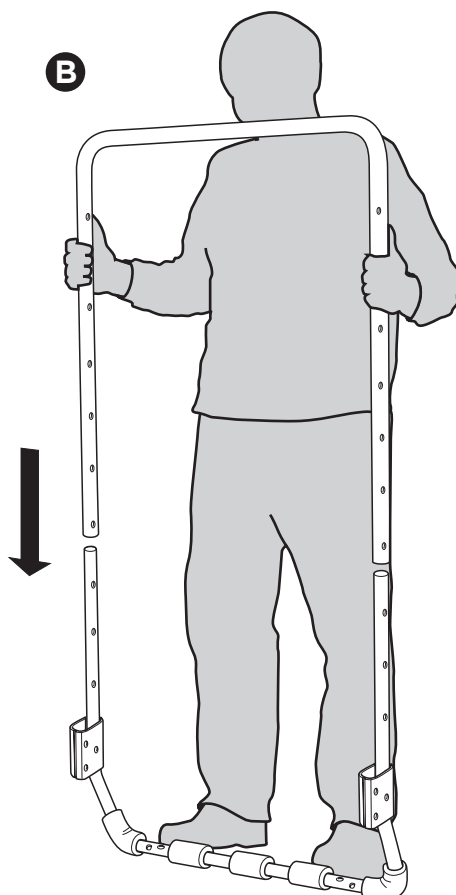


x1

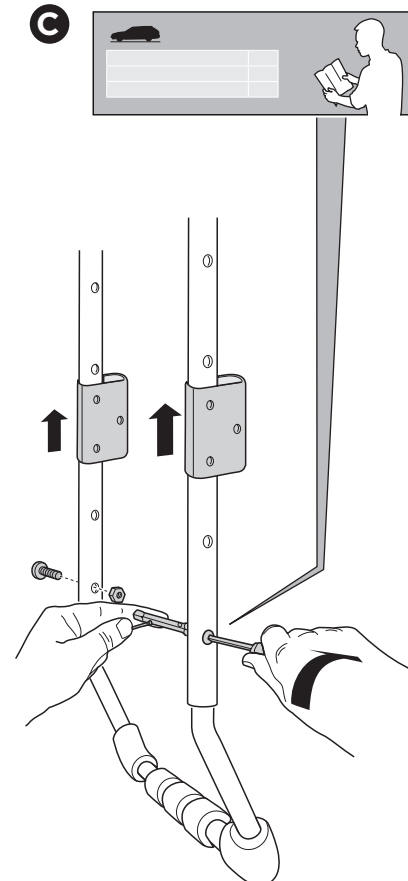
A



B



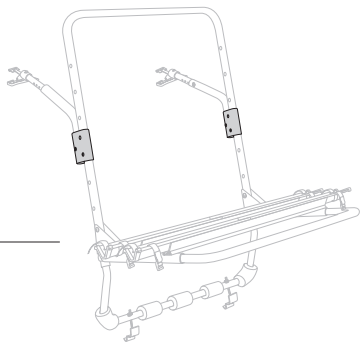
C



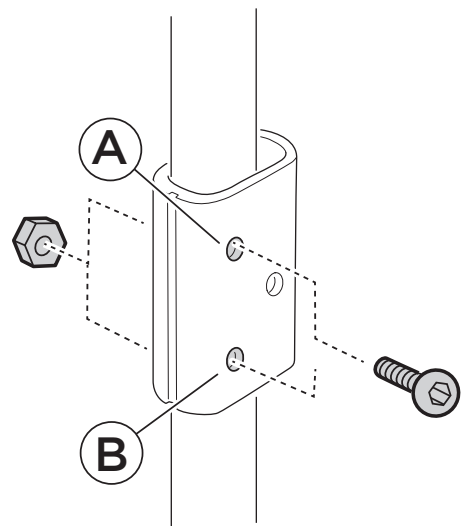
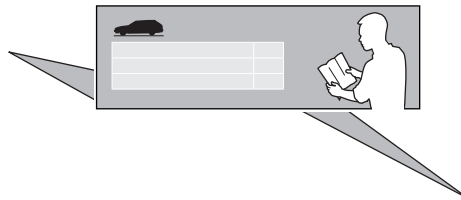
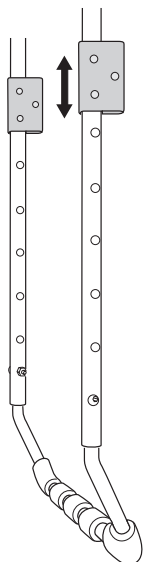
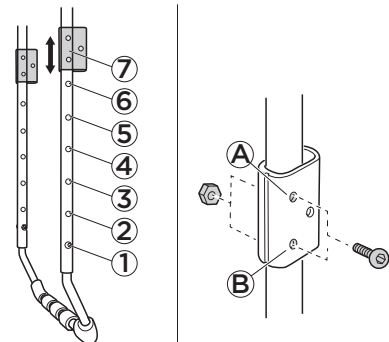
2



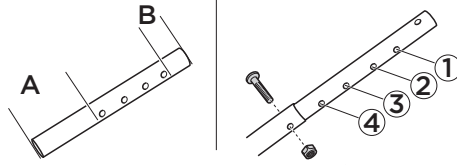
AUDI 80, 5-dr Estate, 92-95	3	A	KIA Carnival I, 5-dr MPV, 98-01	3	A
AUDI 100, 5-dr Estate, 92-94	3	B	KIA Sorento, 5-dr SUV, 02-08	5	A
AUDI A3 Sportback, 5-dr Hatchback, 04-12	2	B	MAZDA 6 (Mk I), 5-dr Estate, 02-07	3	A
AUDI A4 Allroad, 5-dr Estate, 08-15	3	A	MAZDA CX-7, 5-dr SUV, 07-09	4	B
AUDI A4 Avant, 5-dr Estate, 05-07	3	A	MITSUBISHI Outlander (Mk III), 5-dr SUV, 13-	3	B
AUDI A4 Avant, 5-dr Estate, 08-15	3	A	NISSAN Primera (W12), 5-dr Estate, 02-07	4	A
AUDI A6 Allroad, 5-dr Estate, 06-12	3	A	SEAT Exeo, 5-dr Estate, 09-13	3	A
AUDI A6 Avant, 5-dr Estate, 94-97	3	B	SEAT Ibiza ST, 5-dr Estate, 10-	3	B
AUDI A6 Avant, 5-dr Estate, 98-04	3	A	SKODA Octavia (Mk III), 5-dr Estate, 13-	3	B
AUDI A6 Avant, 5-dr Estate, 05-10	3	A	SKODA Octavia Scout (Mk III), 5-dr Estate, 14-	3	B
BMW 5-Series Touring (E39), 5-dr Estate, 97-00	4	A	SKODA Rapid Spaceback, 5-dr Hatchback, 14-	3	A
BMW 5-Series Touring (E39), 5-dr Estate, 01-03	4	A	SKODA Superb, 5-dr Estate, 09-15	3	B
BMW X3, 5-dr SUV, 10-	3	A	SKODA Superb Alldrive, 5-dr Estate, 12-15	3	B
CHRYSLER Grand Voyager, 5-dr MPV, 96-00	3	A	SUBARU Legacy V, 5-dr Estate, 09-14	3	A
CHRYSLER PT Cruiser, 5-dr Estate, 00-10	3	B	SUBARU Outback, 5-dr Estate, 10-14	3 <td A	
CHRYSLER Voyager, 5-dr MPV, 96-00	3	A	SUZUKI Vitara, 5-dr SUV, 15-	3	B
FIAT Croma, 5-dr Estate, 05-07	3	A	TOYOTA Corolla, 5-dr Estate, 93-97	3	A
FORD C-Max (Mk II), 5-dr MPV, 10-	3	B	TOYOTA Previa, 5-dr MPV, 90-99	6	A
JEEP Grand Cherokee, 5-dr SUV, 05-10	4	B	VOLKSWAGEN Tiguan, 5-dr SUV, 16-	4	B



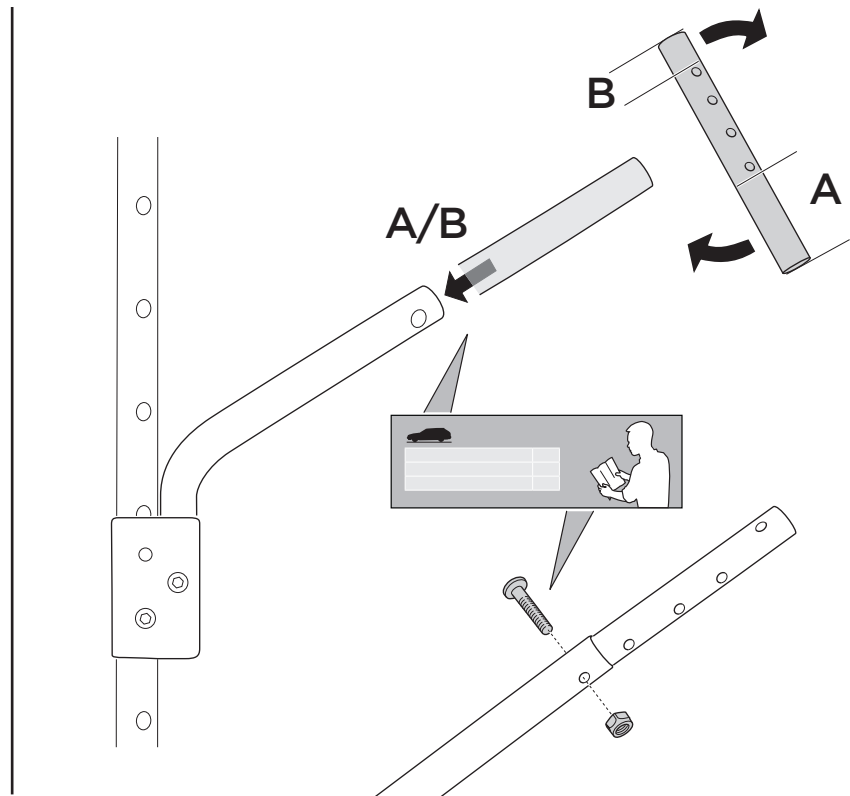
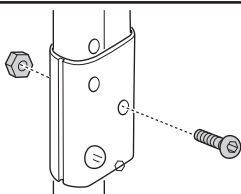
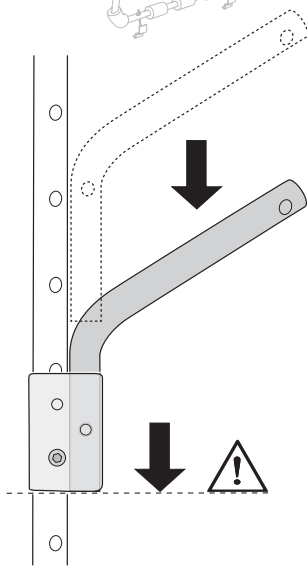
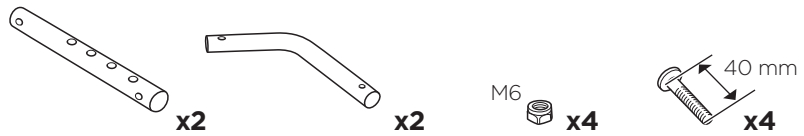
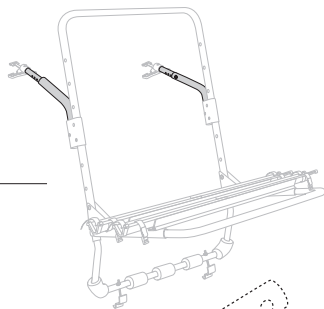
M6  x2  40 mm x2

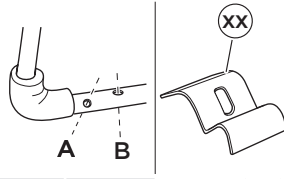


3

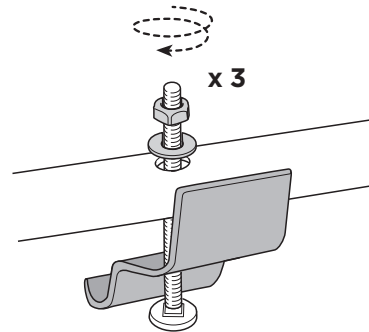
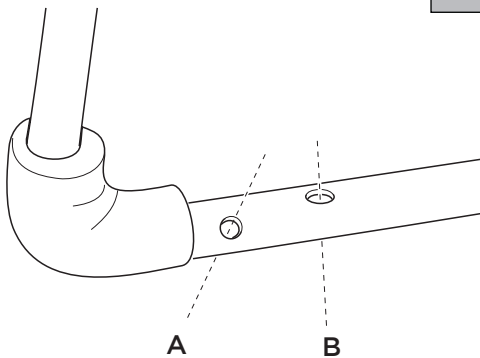
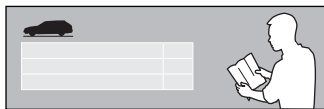
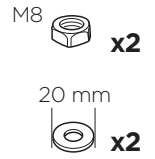
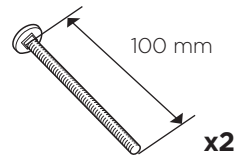
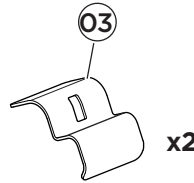
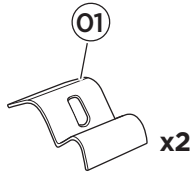
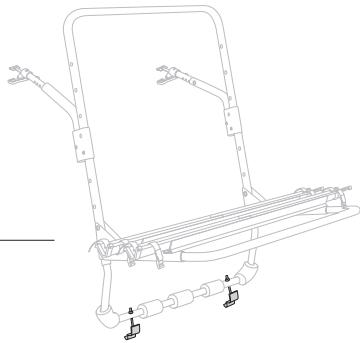


AUDI 80, 5-dr Estate, 92-95	B	5	KIA Carnival I, 5-dr MPV, 98-01	B	3
AUDI 100, 5-dr Estate, 92-94	B	3	KIA Sorento, 5-dr SUV, 02-08	B	2
AUDI A3 Sportback, 5-dr Hatchback, 04-12	B	3	MAZDA 6 (Mk I), 5-dr Estate, 02-07	B	2
AUDI A4 Allroad, 5-dr Estate, 08-15	B	4	MAZDA CX-7, 5-dr SUV, 07-09	B	2
AUDI A4 Avant, 5-dr Estate, 05-07	B	3	MITSUBISHI Outlander (Mk III), 5-dr SUV, 13-	B	1
AUDI A4 Avant, 5-dr Estate, 08-15	B	4	NISSAN Primera (W12), 5-dr Estate, 02-07	B	7
AUDI A6 Allroad, 5-dr Estate, 06-12	B	7	SEAT Exeo, 5-dr Estate, 09-13	B	4
AUDI A6 Avant, 5-dr Estate, 94-97	B	3	SEAT Ibiza ST, 5-dr Estate, 10-	B	7
AUDI A6 Avant, 5-dr Estate, 98-04	B	5	SKODA Octavia (Mk III), 5-dr Estate, 13-	B	2
AUDI A6 Avant, 5-dr Estate, 05-10	B	7	SKODA Octavia Scout (Mk III), 5-dr Estate, 14-	B	2
BMW 5-Series Touring (E39), 5-dr Estate, 97-00	B	2	SKODA Rapid Spaceback, 5-dr Hatchback, 14-	B	4
BMW 5-Series Touring (E39), 5-dr Estate, 01-03	B	2	SKODA Superb, 5-dr Estate, 09-15	B	6
BMW X3, 5-dr SUV, 10-	B	4	SKODA Superb Alldrive, 5-dr Estate, 12-15	B	6
CHRYSLER Grand Voyager, 5-dr MPV, 96-00	B	3	SUBARU Legacy V, 5-dr Estate, 09-14	B	4
CHRYSLER PT Cruiser, 5-dr Estate, 00-10	B	7	SUBARU Outback, 5-dr Estate, 10-14	B	4
CHRYSLER Voyager, 5-dr MPV, 96-00	B	3	SUZUKI Vitara, 5-dr SUV, 15-	B	4
FIAT Croma, 5-dr Estate, 05-07	B	4	TOYOTA Corolla, 5-dr Estate, 93-97	B	2
FORD C-Max (Mk II), 5-dr MPV, 10-	B	2	TOYOTA Previa, 5-dr MPV, 90-99	B	4
JEEP Grand Cherokee, 5-dr SUV, 05-10	B	2	VOLKSWAGEN Tiguan, 5-dr SUV, 16-	B	1

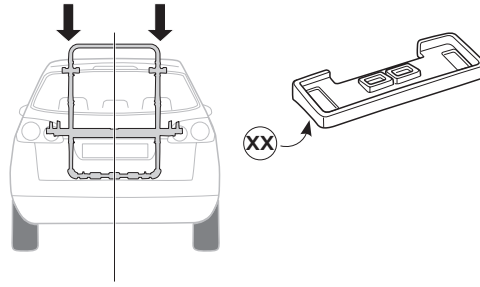




AUDI 80, 5-dr Estate, 92-95	A	01	KIA Carnival I, 5-dr MPV, 98-01	A	01
AUDI 100, 5-dr Estate, 92-94	A	01	KIA Sorento, 5-dr SUV, 02-08	B	01
AUDI A3 Sportback, 5-dr Hatchback, 04-12	B	01	MAZDA 6 (Mk I), 5-dr Estate, 02-07	B	01
AUDI A4 Allroad, 5-dr Estate, 08-15	B	01	MAZDA CX-7, 5-dr SUV, 07-09	A	01
AUDI A4 Avant, 5-dr Estate, 05-07	B	01	MAZDA CX-7, 5-dr SUV, 07-09	A	01
AUDI A4 Avant, 5-dr Estate, 08-15	B	01	MAZDA CX-7, 5-dr SUV, 07-09	A	01
AUDI A6 Allroad, 5-dr Estate, 06-12	B	01	MITSUBISHI Outlander (Mk III), 5-dr SUV, 13-	A	03
AUDI A6 Avant, 5-dr Estate, 94-97	A	01	NISSAN Primera (W12), 5-dr Estate, 02-07	A	01
AUDI A6 Avant, 5-dr Estate, 98-04	B	03	SEAT Exeo, 5-dr Estate, 09-13	A	01
AUDI A6 Avant, 5-dr Estate, 05-10	B	01	SEAT Ibiza ST, 5-dr Estate, 10-	B	01
BMW 5-Series Touring (E39), 5-dr Estate, 97-00	A	01	SEAT Ibiza ST, 5-dr Estate, 10-	B	01
BMW 5-Series Touring (E39), 5-dr Estate, 01-03	A	01	SKODA Octavia (Mk III), 5-dr Estate, 13-	B	01
BMW X3, 5-dr SUV, 10-	A	01	SKODA Octavia Scout (Mk III), 5-dr Estate, 14-	B	01
CHRYSLER Grand Voyager, 5-dr MPV, 96-00	A	01	SKODA Rapid Spaceback, 5-dr Hatchback, 14-	B	01
CHRYSLER PT Cruiser, 5-dr Estate, 00-10	B	01	SKODA Superb, 5-dr Estate, 09-15	B	01
CHRYSLER Voyager, 5-dr MPV, 96-00	A	01	SKODA Superb Alldrive, 5-dr Estate, 12-15	B	01
FIAT Croma, 5-dr Estate, 05-07	B	01	SUBARU Legacy V, 5-dr Estate, 09-14	B	01
FORD C-Max (Mk II), 5-dr MPV, 10-	A	01	SUBARU Outback, 5-dr Estate, 10-14	B	01
JEEP Grand Cherokee, 5-dr SUV, 05-10	B	03	SUZUKI Vitara, 5-dr SUV, 15-	B	01
			TOYOTA Corolla, 5-dr Estate, 93-97	A	01
			TOYOTA Previa, 5-dr MPV, 90-99	B	01
			VOLKSWAGEN Tiguan, 5-dr SUV, 16-	B	01

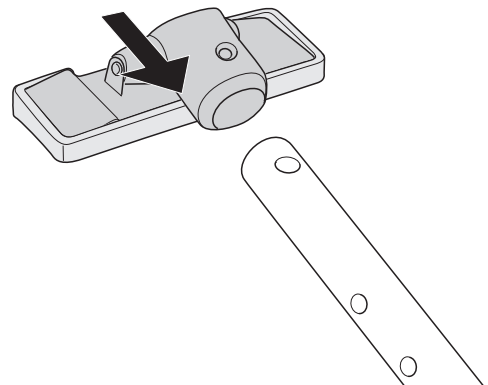
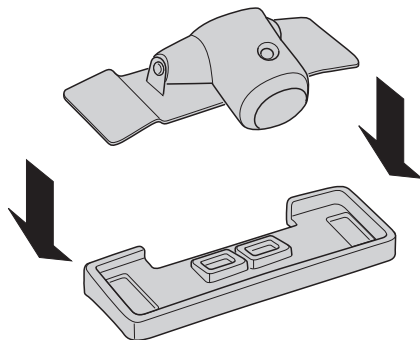
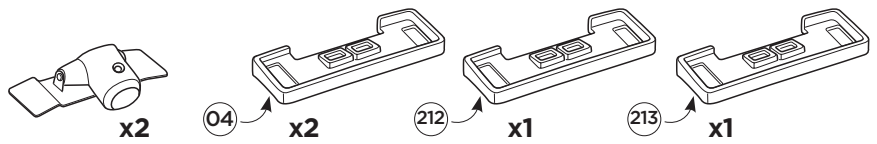
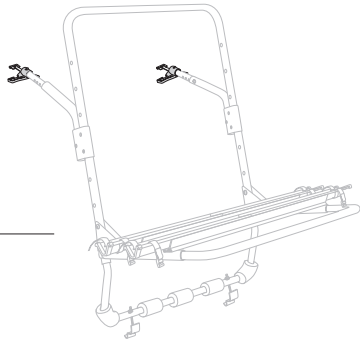


5



AUDI 80, 5-dr Estate, 92-95	04	04
AUDI 100, 5-dr Estate, 92-94	212	213
AUDI A3 Sportback, 5-dr Hatchback, 04-12	212	213
AUDI A4 Allroad, 5-dr Estate, 08-15	212	213
AUDI A4 Avant, 5-dr Estate, 05-07	212	213
AUDI A4 Avant, 5-dr Estate, 08-15	212	213
AUDI A6 Allroad, 5-dr Estate, 06-12	212	213
AUDI A6 Avant, 5-dr Estate, 94-97	212	213
AUDI A6 Avant, 5-dr Estate, 98-04	212	213
AUDI A6 Avant, 5-dr Estate, 05-10	212	213
BMW 5-Series Touring (E39), 5-dr Estate, 97-00	04	04
BMW 5-Series Touring (E39), 5-dr Estate, 01-03	04	04
BMW X3, 5-dr SUV, 10-	212	213
CHRYSLER Grand Voyager, 5-dr MPV, 96-00	04	04
CHRYSLER PT Cruiser, 5-dr Estate, 00-10	04	04
CHRYSLER Voyager, 5-dr MPV, 96-00	04	04
FIAT Croma, 5-dr Estate, 05-07	212	213
FORD C-Max (Mk II), 5-dr MPV, 10-	212	213
JEEP Grand Cherokee, 5-dr SUV, 05-10	212	213

KIA Carnival I, 5-dr MPV, 98-01	04	04
KIA Sorento, 5-dr SUV, 02-08	212	213
MAZDA 6 (Mk I), 5-dr Estate, 02-07	212	213
MAZDA CX-7, 5-dr SUV, 07-09	04	04
MITSUBISHI Outlander (Mk III), 5-dr SUV, 13-	212	213
NISSAN Primera (W12), 5-dr Estate, 02-07	04	04
SEAT Exeo, 5-dr Estate, 09-13	212	213
SEAT Ibiza ST, 5-dr Estate, 10-	212	213
SKODA Octavia (Mk III), 5-dr Estate, 13-	212	213
SKODA Octavia Scout (Mk III), 5-dr Estate, 14-	212	213
SKODA Rapid Spaceback, 5-dr Hatchback, 14-	212	213
SKODA Superb, 5-dr Estate, 09-15	212	213
SKODA Superb Alldrive, 5-dr Estate, 12-15	212	213
SUBARU Legacy V, 5-dr Estate, 09-14	212	213
SUBARU Outback, 5-dr Estate, 10-14	212	213
SUZUKI Vitara, 5-dr SUV, 15-	212	213
TOYOTA Corolla, 5-dr Estate, 93-97	04	04
TOYOTA Previa, 5-dr MPV, 90-99	04	04
VOLKSWAGEN Tiguan, 5-dr SUV, 16-	212	213



- EN** Check the settings for your car model in the table; count the number of visible holes.
- DE** **Kontrollieren** Sie die Einstellungen für Ihr Fahrzeug-Modell gemäß der Tabelle durch Zählen der sichtbaren Löcher.
- FR** **Contrôlez** dans le tableau les indications de réglage pour votre voiture. Comptez le nombre de trous visibles.
- NL** **Controleer** de instellingen voor uw automodel in de tabel, tel het aantal zichtbare gaten.
- IT** **Verificare** le impostazioni per il proprio modello di automobile; contare il numero di fori visibili.
- ES** **Verifique** en la tabla la correcta colocación según su modelo de automóvil: cuente el número de agujeros visibles.
- PT** **Verificar** os ajustes para o seu modelo de carro conforme a tabela; conte o número de orifícios visíveis.
- SV** **Kontrollera** inställningarna för din bilmodell i tabellen, räkna antal synliga hål.
- DK** **Kontrollér** indstillingerne for din bilmodel i tabellen. Tæl antallet af synlige huller.
- NO** **Kontroller** innstillingene for bilmodellen din i tabellen. Tell antall synlige hull.
- FI** **Tarkista** taulukosta automallikohtaiset säädöt. Laske näkyvien reikien lukumäärä.
- ET** **Kontrollige** tabelist oma masina seadeid; lugege üle nähtavad augud.
- LV** Tabulā **pārbaudiet** jūsu automobiļa modeļa iestatījumus; saskaitiet redzamos caurumus.
- LT** Savo automobilio modelio parametrus **pasitikslinkite** pagal lentelėje pateiktus duomenis; suskaičiuokite matomų angų skaičių.
- PL** **Sprawdź** w tabeli ustawienia właściwe dla Twojego samochodu. Policz widoczne otwory.
- RU** **Посмотрите** спецификации вашей модели автомобиля в таблице; сосчитайте количество видимых отверстий.

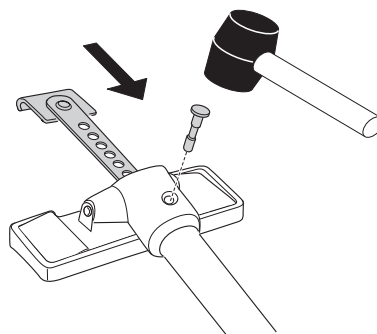
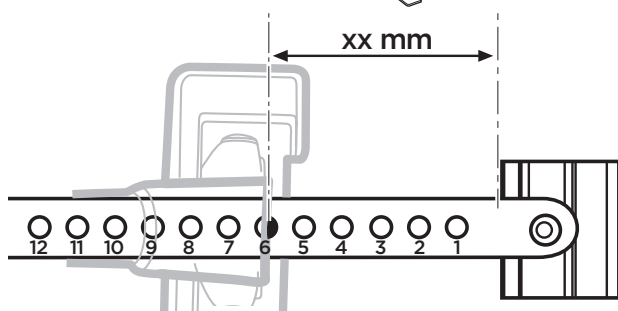
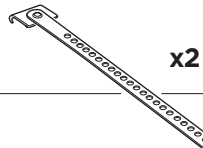
- UK** **Ознайомтеся** зі вказаними в таблиці специфікаціями вашої моделі автомобіля. Порахуйте кількість видимих отворів.
- BG** **Проверете** настройките за Вашия модел автомобил в таблицата; пребройте видимите отвори.
- CS** **Zkontrolujte** nastavení pro svůj model automobilu v tabulce; odpočítejte viditelné otvory.
- SK** **Skontrolujte** nastavenia v tabulke pre model vášho vozidla; spočítajte počet viditeľných dier.
- SL** **Preverite** v tabeli nastavitve za vaš model in tip vozila. Preštejte število vidnih lukenj.
- HR/BiH** U tablici **provjerite** postavke za vaš model automobila; prebrojite vidljive rupe.
- RO** **Verificați** setările aferente modelului dvs. de mașină în tabel; numărați orificiile vizibile.
- HU** **Ellenőrizze** a saját gépkocsijára vonatkozó beállításokat a táblázaton; számolja meg a látható furatokat.
- EL** **Ελέγξτε** τις ρυθμίσεις για το μοντέλο του αυτοκινήτου σας στον πίνακα και μετρήστε τον αριθμό των ορατών τρυπών.
- TR** Tablodan araba modelinizin ayarlarını **kontrol edin**; görünebilir delik sayısını sayın.

**HE** בדוק את ההגדרות עבור הדגם של כלי הרכב שלך בטבלה; ספור את מספר הרווחים הנלויים.

**AR** راجع الإعدادات الخاصة بطراز السيارة في الجدول؛ واحسب عدد الفتحات المرئية.

- ZH** 在表中查看适合您的车型的装配方式；数一下可看到的孔的个数
- JA** ご使用の車体モデルの設定を表で確認し、見える穴の数を数えてください
- KO** 표에서 차종별 설정을 확인하여 구멍의 위치에 조립 하시기 바랍니다.
- TH** ตรวจสอบการติดตั้งสำหรับรุ่นรถยนต์ของคุณในตารางนี้ นับจำนวนรูที่มองเห็น

6



AUDI 80, 5-dr Estate, 92-95	3/33 mm
AUDI 100, 5-dr Estate, 92-94	6/66 mm
AUDI A3 Sportback, 5-dr Hatchback, 04-12	8/88 mm
AUDI A4 Allroad, 5-dr Estate, 08-15	8/88 mm
AUDI A4 Avant, 5-dr Estate, 05-07	5/55 mm
AUDI A4 Avant, 5-dr Estate, 08-15	8/88 mm
AUDI A6 Allroad, 5-dr Estate, 06-12	6/66 mm
AUDI A6 Avant, 5-dr Estate, 94-97	6/66 mm
AUDI A6 Avant, 5-dr Estate, 98-04	5/55 mm
AUDI A6 Avant, 5-dr Estate, 05-10	6/66 mm
BMW 5-Series Touring (E39), 5-dr Estate, 97-00	3/33 mm
BMW 5-Series Touring (E39), 5-dr Estate, 01-03	3/33 mm
BMW X3, 5-dr SUV, 10-	16/176 mm
CHRYSLER Grand Voyager, 5-dr MPV, 96-00	8/88 mm
CHRYSLER PT Cruiser, 5-dr Estate, 00-10	6/66 mm
CHRYSLER Voyager, 5-dr MPV, 96-00	8/88 mm
FIAT Croma, 5-dr Estate, 05-07	11/121 mm
FORD C-Max (Mk II), 5-dr MPV, 10-	12/132 mm
JEEP Grand Cherokee, 5-dr SUV, 05-10	10/110 mm

KIA Carnival I, 5-dr MPV, 98-01	8/88 mm
KIA Sorento, 5-dr SUV, 02-08	5/55 mm
MAZDA 6 (Mk I), 5-dr Estate, 02-07	10/110 mm
MAZDA CX-7, 5-dr SUV, 07-09	4/44 mm
MITSUBISHI Outlander (Mk III), 5-dr SUV, 13-	9/99 mm
NISSAN Primera (W12), 5-dr Estate, 02-07	3/33 mm
SEAT Exeo, 5-dr Estate, 09-13	5/55 mm
SEAT Ibiza ST, 5-dr Estate, 10-	8/88 mm
SKODA Octavia (Mk III), 5-dr Estate, 13-	16/176 mm
SKODA Octavia Scout (Mk III), 5-dr Estate, 14-	16/176 mm
SKODA Rapid Spaceback, 5-dr Hatchback, 14-	13/143 mm
SKODA Superb, 5-dr Estate, 09-15	11/121 mm
SKODA Superb Alldrive, 5-dr Estate, 12-15	11/121 mm
SUBARU Legacy V, 5-dr Estate, 09-14	11/121 mm
SUBARU Outback, 5-dr Estate, 10-14	11/121 mm
SUZUKI Vitara, 5-dr SUV, 15-	8/88 mm
TOYOTA Corolla, 5-dr Estate, 93-97	11/121 mm
TOYOTA Previa, 5-dr MPV, 90-99	11/121 mm
VOLKSWAGEN Tiguan, 5-dr SUV, 16-	10/110 mm



7



x1

M6

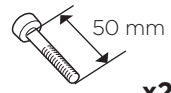


x2

16 mm



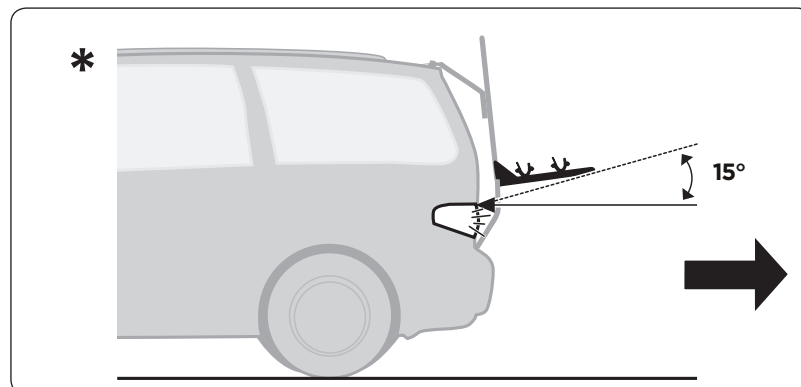
x2

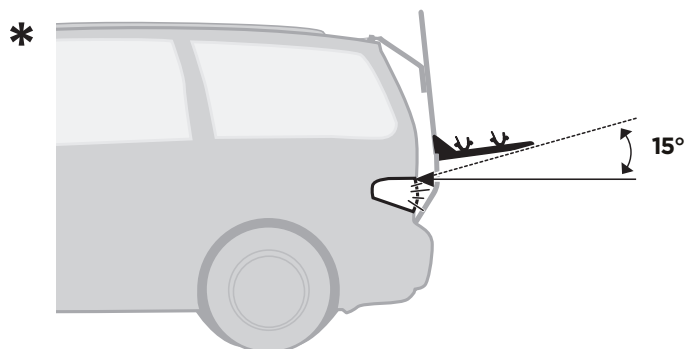


x2



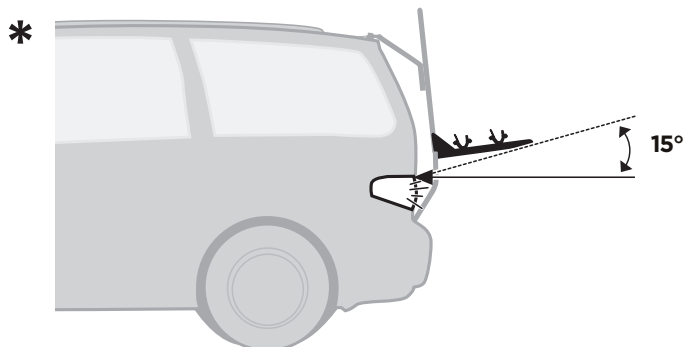
x2





\*

- EN IMPORTANT!** In order for the vehicle to be allowed to be driven on the road, some countries require that the car's tail lights and number plate be visible at an angle of 15° upwards. Make sure that your car meets this regulation if it applies in the country in which you are travelling. If it does not, raise the bike shelf one hole.
- DE WICHTIG!** In einigen Ländern ist es vorgeschrieben, dass die Rücklichter und das Kennzeichen in einem 15° Winkel nach oben erkennbar sind. Wenn diese Forderung nicht erfüllt ist, ist die Fahrradkonsole um ein Loch nach oben versetzen.
- FR IMPORTANT!** La législation exige dans certains pays que la plaque d'immatriculation et les feux arrière soient visibles jusqu'à un angle de 15° vers le haut lorsque la voiture roule. Veuillez contrôler que c'est bien le cas avec votre voiture. Sinon, relever la plateforme vélo jusqu'au trou suivant.
- NL BELANGRIJK!** In sommige landen mag de auto alleen worden gebruikt als de achterlichten en de nummerplaat tot een hoek van 15° naar boven zichtbaar zijn. Zorg ervoor dat dit het geval is of plaats anders de fietsplank een gat hoger.
- IT IMPORTANTE!** In alcuni Paesi, il codice della strada impone che le luci di posizione e la targa del veicolo debbano essere visibili ad un angolo di 15° verso l'alto. Accertarsi che la propria automobile sia conforme alle norme vigenti nel Paese in cui stai viaggiando. In caso contrario, sollevare le guide per bicicletta di un foro.
- ES IMPORTANTE!** Para que el vehículo pueda circular por carretera, en algunos países se exige que la luces traseras y la placa de matrícula sean visibles con un ángulo hacia arriba de 15°. Si esta norma tiene vigencia en el país por el que circula, asegúrese de que su automóvil cumpla con ella. De no ser así, eleve un agujero la plataforma de las bicicletas.
- PT IMPORTANTE** Para que o veículo possa circular em rodovias, alguns países exigem que as luzes traseiras e a placa devam estar visíveis em um ângulo de 15° para cima. Certifique-se de que seu veículo atende aos regulamentos em vigor no país por onde viaja. Caso contrário, eleve a prateleira de bicicletas em um orifício.
- SV VIKTIGT !** För att fordonet skall få framföras krävs i vissa länder att bakljus och nummerplåt är synliga i en vinkel på 15° uppåt. Försäkra dig om att så är fallet. I annat fall höjs cykelhyllan ett hål.
- DK VIGTIGT!** I nogle lande er det lovpligtigt, at bilens baglygter og nummerplade er synlige i en vinkel på 15° i opadgående retning. Sørg for, at din bil opfylder dette krav, hvis det er gældende i det land, du rejser i. Hvis din bil ikke opfylder kravet, løft cykelholderen et hul.
- NO VIKTIG!** Enkelte land krever at baklysene og nummerskiltet er synlig ved en vinkel på 15° oppover for at bilen skal kunne brukes på veien. Sørg for at bilen din oppfyller disse kravene hvis de gjelder for det landet du befinner deg i. Hvis dette ikke er aktuelt, hever du sykkelstativet ett hakk opp.
- FI TÄRKEÄÄ!** Joissakin maissa ajoneuvolla ajo on sallittua vain, kun ajoneuvon takavalot ja rekisterikilpi ovat nähtävissä 15° asteen kulmasta ylöspäin. Jos mainittua säännöstä sovelletaan siinä maassa, jossa autoilet, varmista, että autosi täyttää säännöksen vaatimukset. Jos vaatimukset eivät täyty, nosta pyöräkannatin yhtä reikää ylemmäksi.
- ET TAHTIS!** Et lubada sõidukit teel pukseerida, nõuavad mõned riigid, et auto tagatud ja numbrimark oleksid nahtavad 15° võrra ülespoole. Veenduge, et Teie auto vastab selle riigi nõudmistele, kuhu Te reisite. Kui ei vasta, siis tõstke jalgrattahoidiku renni ühe augu võrra.
- LV SVARĪGI** Dažās valstīs, lai ar transportlīdzekli varētu pārvietoties pa ceļu, automobiļa aizmugures lukturium un numura plāksnītei jābūt redzamiem 15° leņķī, skatoties no augšas. Ja valstī, kurā atrodaties, pastāv šāda prasība, pārliecinieties, ka jūsu automobilis tai atbilst. Ja neatbilst, pārvietojiet velosipēdu turētāju par vienu caurumu uz augšu.
- LT SVARBU** Kai kuriose šalyse važiuoti keliais leidžiama tik tomis transporto priemonėmis, kurių galiniai žibintai ir valstybinis numeris matomi 15° kampū iš viršaus. Įsitinkite, kad jūsų automobilis atitinka šį reikalavimą, jei jis galioja valstybėje, kurioje keliaujate. Jei automobilis reikalavimo neatitinka, pakelkite dviračių lentynėlę aukščiau per vieną angą.
- PL WAŻNE!** W niektórych krajach w pojeździe dopuszczonym do ruchu tylne światła oraz tablica rejestracyjna muszą być widoczne z góry pod kątem 15°. Jeżeli taki przepis obowiązuje w kraju, po którym podróżujesz upewnij się, że Twój samochód spełnia ten warunek po zamontowaniu bagażnika. Jeżeli nie podnieś półkę z rowerami o jeden otwór do góry.
- RU ВАЖНО!** В некоторых странах установлены ограничения для автомобилей на некоторых видах дорог, задние фонари и номерные знаки должны быть видны под углом 15° вверх. В случае путешествия на автомобиле в стране, в которой установлено такое требование, убедитесь, что автомобиль соответствует ему. Если требование не соблюдается, поднимите кронштейн велосипеда на одно отверстие.
- UK ВАЖЛИВО!** У деяких країнах для отримання права на водіння автомобіля, потрібно, щоб під час руху задні фари автомобіля та номерний знак були видимі під кутом 15° угору. Якщо у країні, у якій ви подорожуєте, таке правило має силу, переконайтеся, що ваш автомобіль відповідає цим вимогам. Інакше підніміть кронштейн велосипеда на один отвір вище.



\*

**BG ВАЖНО!** За да бъде позволено на превозното средство да се движи по пътищата, някои държави изискват задните светлини и регистрационният номер на автомобила да бъдат видими при ъгъл от 15°, гледано отгоре. Убедете се, че Вашият автомобил отговаря на тази разпоредба, ако тя се отнася за държавата, в която пътувате. Ако не отговаря, повдигнете стойката за велосипед с един отвор.

**CS DŮLEŽITÉ!** Aby bylo možné automobil používat na silnici, je v některých zemích vyžadováno, aby byla světla zadních dveří a poznávací značka viditelná z horního úhlu 15°. Pokud toto nařízení platí v zemi, ve které cestujete, ujistěte se, že jej automobil splňuje. Pokud ne, zvedněte stojan kola o jeden otvor.

**SK DŮLEŽITÉ!** Aby bola možná prevádzka vozidla na komunikáciách, je v niektorých štátoch povinné, aby zadné svetlá a poznávacia značka vozidla boli viditeľné aj pod uhlom väčším ako 15°. Ak vozidlo používate v krajine, ktorá má takýto predpis, uistite sa, že vaše vozidlo tieto požiadavky spĺňa. Ak tomu tak nie je, zdvihnite držiak bicyklov o jednu dieru.

**SL PAZITE!** Zakon v nekaterih državah zahteva, da so zadnje luči in registrska tablica vidna pod kotom 15° stopinj, prepričajte se, da vaš prtljajnik ustreza zahtevam države v kateri ste in v katero potujete. Nosilec za kolesa lahko dvignete glede na niz lukenj v okvirju.

**HR/BIH VAŽNO!** Zakon u nekim državama određuje da stražnja svjetla i registracijske oznake budu vidljive pod kutom od 15 stupnjeva. Provjerite da li vaše vozilo i nosač bicikla udovoljavaju tom pravilu u državi u kojoj ih koristite. U protivnom podignite nosač na slijedeću rupu.

**RO IMPORTANT!** Pentru ca vehiculul să poată fi condus pe drum, anumite țări solicită ca luminile de poziție și placa de înmatriculare să fie vizibile la un unghi de 15° din sus. Asigurați-vă că mașina respectă această reglementare, dacă este aplicabilă în țara în care călătoriți. Dacă nu o respectă, ridicați suportul de bicicletă cu un orificiu.

**HU FONTOS!** Egyes országokban a közúti közlekedés egyik feltétele, hogy a gépkocsi hátsó lámpái és a rendszámtábla 15 fokban láthatók legyenek. Győződjön meg arról, hogy gépkocsija megfelel azon ország szabályainak, ahol utazik. Amennyiben nem, akkor emelje meg a kerékpártartót egy furattal.

**EL ΣΗΜΑΝΤΙΚΟ!** Για να επιτραπεί η κίνηση του αυτοκινήτου στο δρόμο, ορισμένες χώρες απαιτούν να είναι ορατά τα πίσω φώτα και η πινακίδα κυκλοφορίας του οχήματος από μία γωνία 15° και άνω. Βεβαιωθείτε πως το αυτοκίνητό σας τηρεί αυτό τον κανονισμό αν αυτός ισχύει στη χώρα στην οποία ταξιδεύετε. Αν δεν τον τηρεί, σηκώστε το ράφι του ποδηλάτου κατά μία τρύπα.

**TR ÖNEMLİ!** Aracınızın ülke trafik kanunlarına uygun seyri açısından, bazı ülkelerde 15° üzeri açılarda stop lambalarının ve plakanın görünebilir olması zorunludur. Seyahat ettiğiniz ülkede böyle bir düzenleme varsa, aracınızın bu düzenlemeye uygun olduğundan emin olun. Aracınız uygun durumda değilse, bisikletleri taşıyan rafı bir delik yukarı kaldırın.

**HE חשוב!** כדי שתורשה לנוסע בכלי הרכב שברשותך בכביש, במדינות מסוימות קיימת דרישה לפיה הפנסים האחוריים בכלי הרכב ולוחית מספר הרישוי שלו חייבים להיות גלויים בזווית של 15 מעלות כלפי מעלה. ודא שכלי הרכב שברשותך עומד בתקנה זו אם היא חלה במדינה שבה אתה נוסע. אם תקנה זו אינה חלה, הגבה את מרזח האופניים בחור אחד.

**AR** هام! للسماح للمركبة بالسير على الطريق، تتطلب بعض البلدان أن تكون المصابيح الخلفية بالسيارة ولوحة الأرقام مرئية بزاوية 15 درجة لأعلى. تأكد من التزام السيارة بهذه اللوحة إذا كانت مطبقة في البلد الذي توجد به. إذا لم تكن كذلك، فارفع حامل الدراجة فتحة واحدة.

**ZH 重要事项!** 为使汽车获准在公路上行驶，一些国家要求从上方15°角方向能够看到汽车尾灯和车号牌。如果您在实行此规定的国家旅行，请确保您的汽车满足规定要求。如果该国无此规定，则可将自行车架的位置提高一个孔。

**JA 重要!** 国によっては、車を路上で運転する際、テールライトおよびナンバープレートが上方15度の角度で見えなくてはならない場合があります。走行する国でこの規則が適用される場合、ご使用の車がこの規則に合致しているかを確認してください。合致していない場合、自転車シェルフを1穴分上げてください。

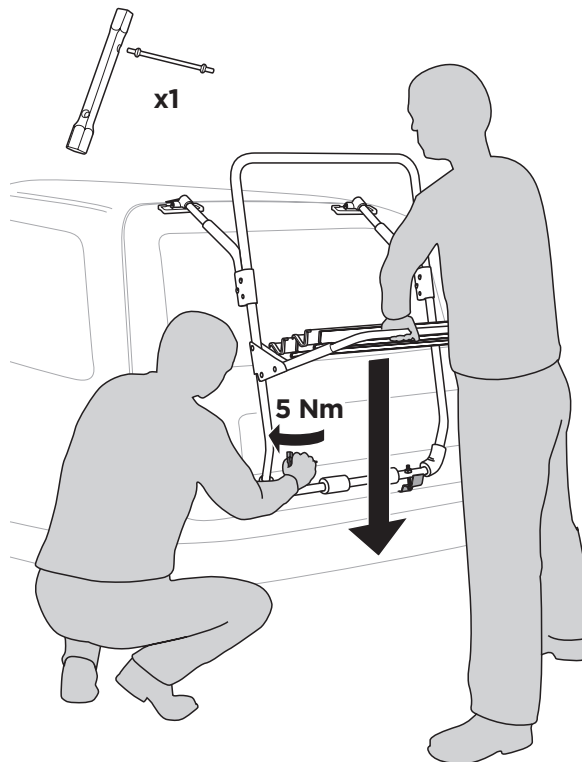
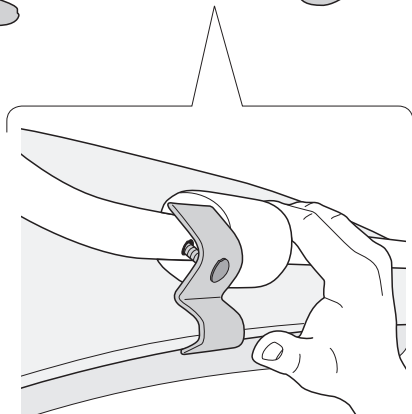
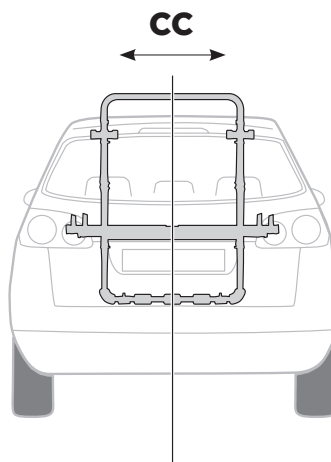
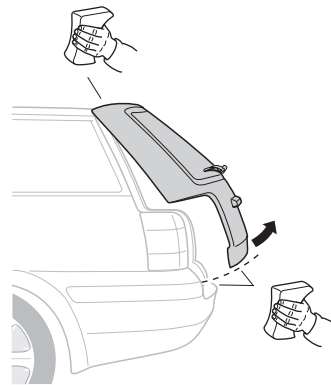
**KO 중요!** 일부 국가의 경우, 도로에서 차량을 주행하려면 차량의 후방등과 번호판이 위쪽 15°에서 보여야 합니다. 위와 같은 법규를 가진 국가를 여행 중인지 확인하십시오. 법규가 해당하는 경우, 자전거 선반을 구멍 하나 높이만큼 올리십시오.

**TH ข้อความสำคัญ** เพื่อให้สามารถขับขี่รถยนต์บนถนนได้ บางประเทศกำหนดให้ไฟท้าย และป้ายทะเบียนรถ ต้องมองเห็นได้จากมุมเงย 15 องศา โปรดแน่ใจว่ารถยนต์ของคุณ สอดคล้องกับระเบียบข้อบังคับนี้ หากบังคับใช้ในประเทศที่คุณกำลังเดินทาง หากไม่สอดคล้อง ให้เลื่อนชั้นวางจักรยานขึ้นหนึ่งรู

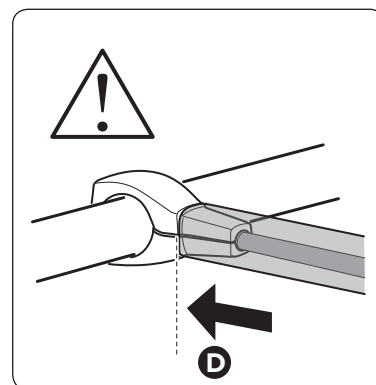
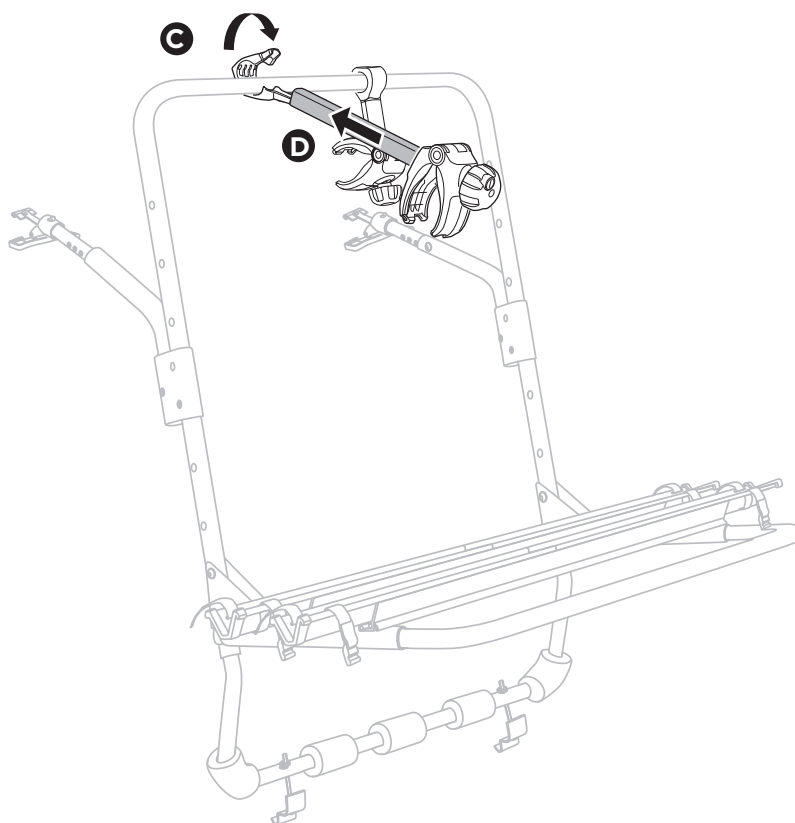
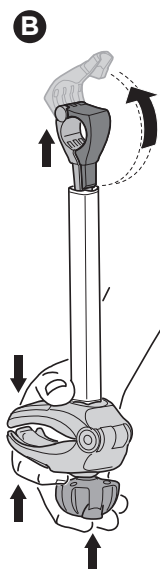
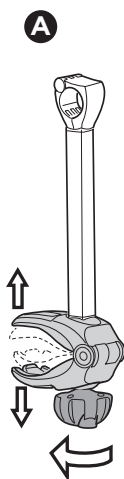
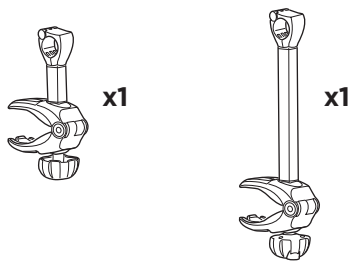
8



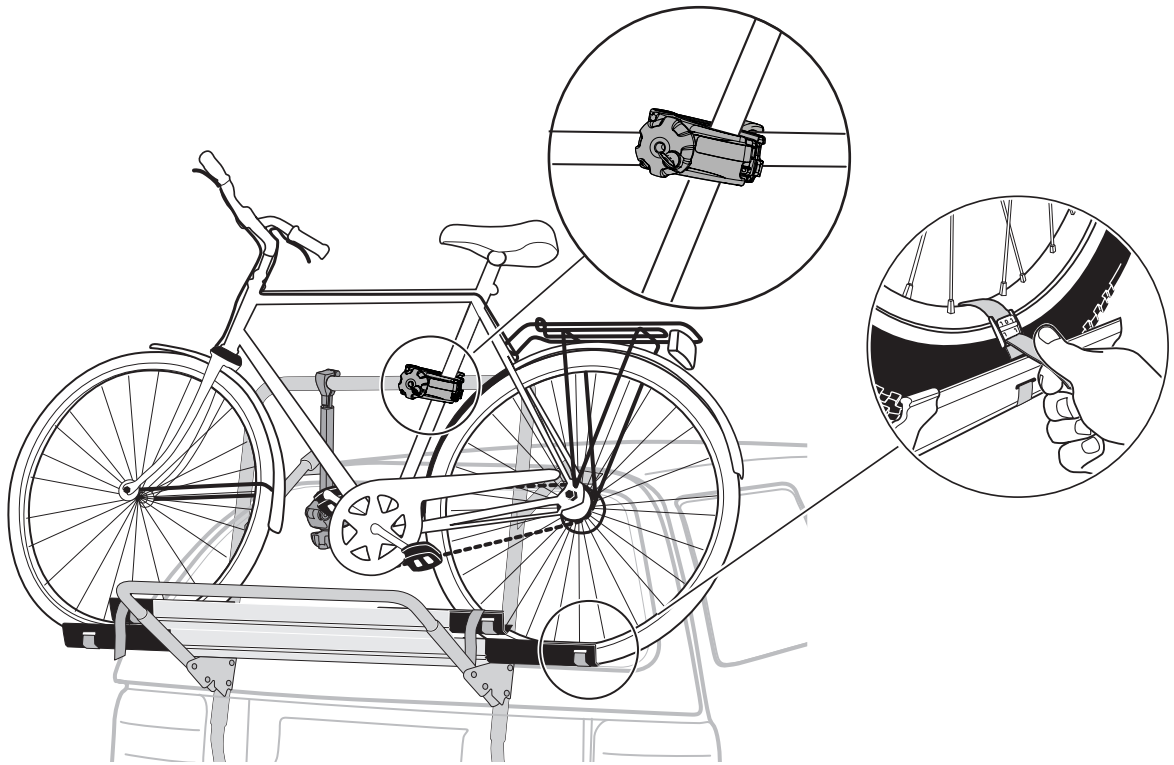
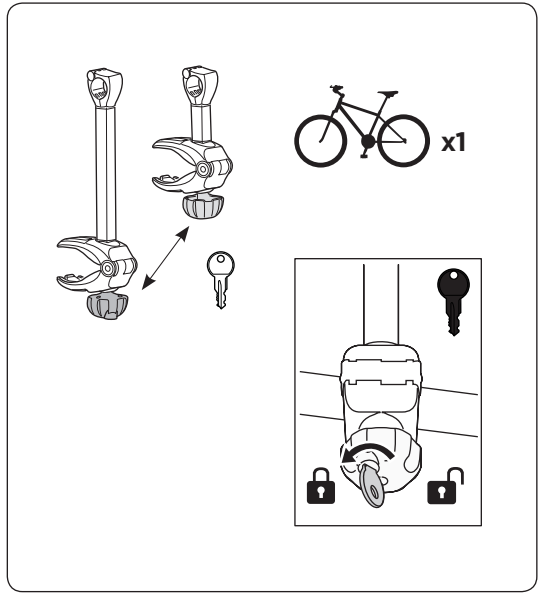
x2



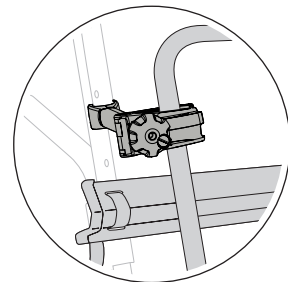
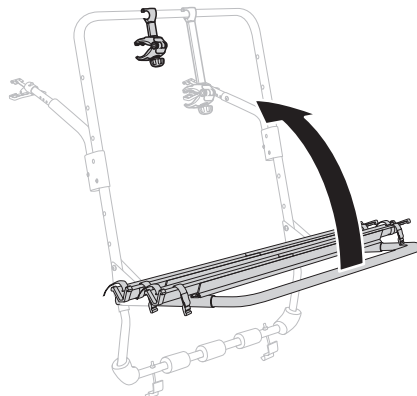
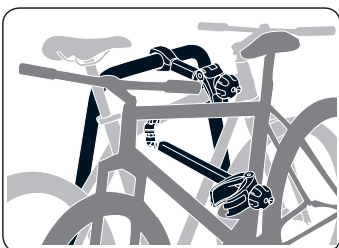
9



10



i





EN Accessories

DE Zubehör

FR Accessoires

NL Accessoires

IT Accessori

ES Accesorios

PT Acessórios

SV Tillbehör

DK Tilbehør

NO Tilbehør

FI Lisävarusteet

ET Lisavarustus

LV Piederumi

LT Priedai

PL Akcesoria

RU Аксессуары

UK Аксессуары

BG Принадлежности

CS Dopřloky

SK Príslušenstvo

SL Dodatki

HR/BiH Dodaci

RO Accesorii

HU Tartozékok

EL Εξαρτήματα

TR Aksesuarlar

AR الملحقات

HE אביזרים

ZH 附件

JA アクセサリー

KO 액세서리

TH อุปกรณ์เสริม

